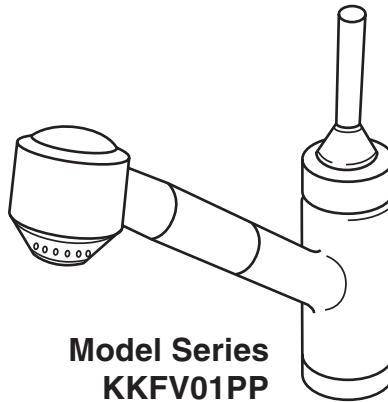
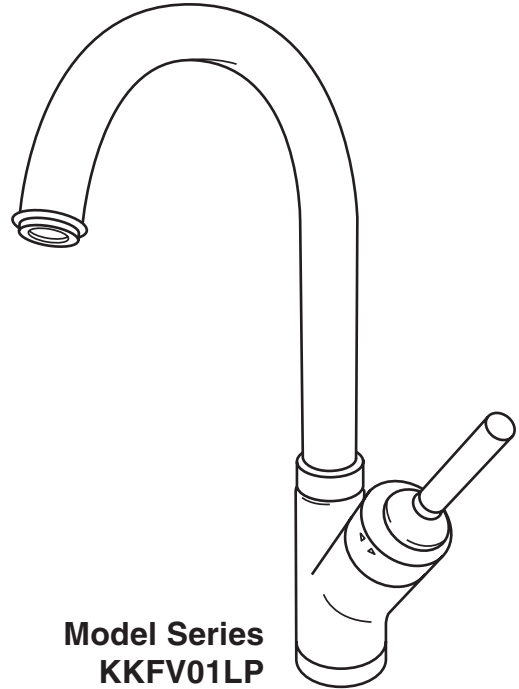
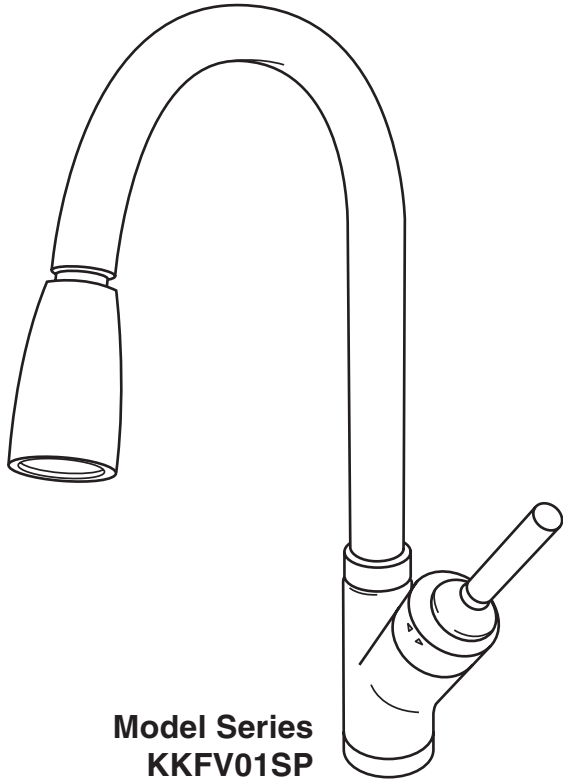


## KITCHEN FAUCETS

### Installation Instructions and Use & Care Guide

For questions about features, operation/performance, parts, accessories, or service, call: **1-800-422-1230** or visit our website at...  
[www.kitchenaid.com](http://www.kitchenaid.com)



**READ AND SAVE THESE INSTRUCTIONS  
FOR RESIDENTIAL USE ONLY**

**IMPORTANT:**

**Installer:** Leave installation instructions with the homeowner.

**Homeowner:** Keep installation instructions for future reference.

# TABLE OF CONTENTS

INSTALLATION REQUIREMENTS .....	2	TROUBLESHOOTING .....	5
INSTALLATION INSTRUCTIONS .....	2	REPLACEMENT PARTS LISTS .....	6
FAUCET USE .....	4	WARRANTY .....	8
FAUCET CARE.....	4		

## INSTALLATION REQUIREMENTS

### Tools and Parts

Gather the required tools before starting installation. Remove parts from carton. Check that all parts are included.

#### Tools Needed:

- Adjustable wrench
- Basin wrench (optional)
- #2 Phillips screwdriver
- Slip joint pliers

#### Parts Supplied:

##### All models:

- Faucet assembly
- 5/64" Allen wrench
- Mounting assembly
  - Rubber O-ring
  - Flat rubber washer
  - White triangular support
  - Flat metal washer
  - Threaded collar

##### Model series KKFV01SP and KKFV01PP:

- Weights (2)
- Check valve assembly
  - fiber seals (2)

### Location Requirements

#### IMPORTANT:

- Observe all governing codes and ordinances.
- Check location where faucet will be installed. Proper installation is your responsibility. Make sure you have everything necessary for installation. It is the responsibility of the installer to comply with installation specifications and with state and local plumbing codes.
- Keep faucet and water lines leading to faucet from freezing to avoid damage.
- The faucet requires a 1 3/8" (3.5 cm) diameter opening in sink or countertop. If there is no hole for mounting, it is recommended that you contact a qualified installer to drill the hole for your installation in a sink deck or countertop.  
**NOTE:** The thickness of the sink or countertop must not exceed 1 3/4" (4.4 cm).
- Hot and cold water supply lines must be available. If the water lines are not available, it is recommended that you contact a qualified plumber to install the necessary piping.
- Faucet hoses are equipped with compression type seals and do not require sealing compound to keep from leaking.
- As with all metal objects, follow proper handling techniques.

## INSTALLATION INSTRUCTIONS

#### IMPORTANT:

- It is recommended that a qualified plumber/installer install the faucet. The faucet installation must comply with national and local plumbing codes and ordinances.
- The faucet should be examined for damage prior to installation. Do not install a damaged faucet. Instead, return the faucet to the dealer from whom you purchased it.

### Install the Faucet

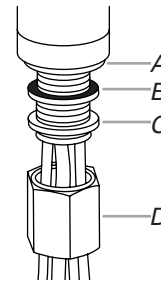
#### IMPORTANT:

- Before installing the faucet, flush water supply pipes thoroughly. Shut off water supply valves.
- Follow the installation instructions specific to your faucet model.

#### Models KKFV01SP and KKFV01PP

1. Remove the threaded collar, flat metal washer, and flat rubber washer from faucet.

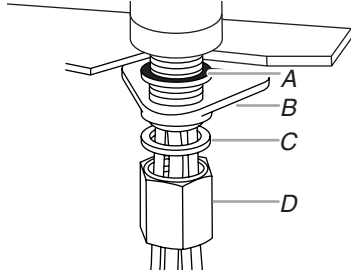
**NOTE:** Do not remove the rubber O-ring from the bottom of the faucet base.



A. Rubber O-ring      C. Flat metal washer  
B. Flat rubber washer      D. Threaded collar

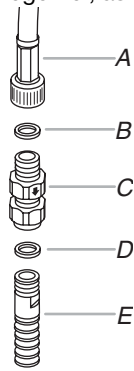
2. Insert faucet into sink or countertop.
  - Feed tubing through the hole in the sink or countertop.
  - Insert threaded shank into the hole.  
**NOTE:** Make sure the rubber O-ring in the channel at the bottom of the faucet base is firmly in place.

- Working from under the sink or countertop, reinstall the parts onto the threaded shank of the faucet in the following order: flat rubber washer, white triangular support, flat metal washer, and threaded collar.



A. Flat rubber washer  
B. White triangular support  
C. Flat metal washer  
D. Threaded collar

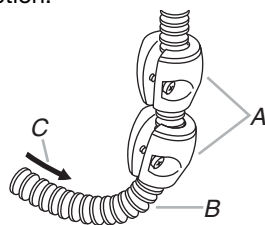
- Align the faucet and firmly hand-tighten the threaded collar to keep the faucet base from turning when moving the control lever. Make sure the control lever is pointed toward the right-hand side of the sink.
- Connect the sprayer hose to the water supply hose using the check valve assembly and the fiber washers. Make sure the check valve assembly is positioned so that the arrow is pointing down, away from the faucet and toward the sprayer head.
- Place a fiber washer between the sprayer hose and the check valve assembly and fasten them together. Then, place a fiber washer between the check valve assembly and the supply hose and fasten them together, as shown.



A. Supply hose (from faucet)  
B. Fiber washer  
C. Check valve assembly  
D. Fiber washer  
E. Sprayer hose

- Connect the red-striped, braided hose to the hot water supply valve. Connect the blue-striped, braided hose to the cold water supply valve. Hold the hoses in place when tightening the nut to keep the hoses from twisting.
- Make sure the sprayer hose is fully inserted into the faucet body.
- Working from under the sink, use the screws provided to attach the weights onto the sprayer hose. Attach the weights to the sprayer head side of the hose loop, just above the bend in the hose, as shown.

**NOTE:** The weights are for counterbalance only, not for automatic retraction.



A. Weights  
B. Sprayer hose  
C. Water flow direction

- Move the faucet lever to the closed (forward) position and open supply valves. Check connections for leaks.
- Remove the aerator from the faucet and flush the hot and cold lines until water is clear.

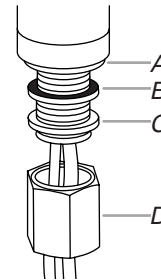
**NOTE:** The aerator is in the end of the faucet. To remove and replace aerator, see "Aerator Assembly" in the "Faucet Care" section.

- Reinstall the aerator into the faucet and tighten with a wrench.

### Model KKFV01LP

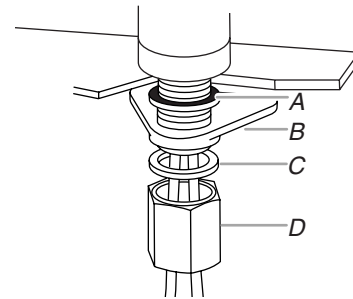
- Remove the threaded collar, flat metal washer, and flat rubber washer from faucet.

**NOTE:** Do not remove the rubber O-ring from the bottom of the faucet base.



A. Rubber O-ring  
B. Flat rubber washer  
C. Flat metal washer  
D. Threaded collar

- Feed tubing through the hole in the sink or counter top and then insert threaded shank into the hole. Make sure the rubber O-ring in the channel at the bottom of the faucet base is firmly in place.
- Working from under the sink or countertop, reinstall the parts onto the threaded shank of the faucet in the following order: flat rubber washer, white triangular support, flat metal washer, and threaded collar.



A. Flat rubber washer  
B. White triangular support  
C. Flat metal washer  
D. Threaded collar

- Align the faucet and firmly hand-tighten the threaded collar to keep the faucet base from turning when moving the operating lever.
- Connect the red-striped, braided hose to the hot water supply valve. Connect the blue-striped, braided hose to the cold water supply valve. Hold the hoses in place when tightening the nut to keep the hoses from twisting.
- Move the faucet lever to the closed (forward) position and open supply valves. Check connections for leaks.
- Remove the aerator from the faucet and flush the hot and cold lines until water is clear.

**NOTE:** The aerator is in the end of the faucet. To remove and replace aerator, see "Aerator Assembly" in the "Faucet Care" section.

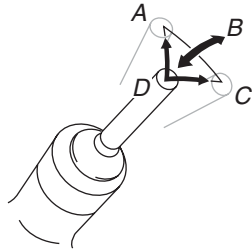
- Reinstall the aerator into the faucet and tighten with a wrench.

# FAUCET USE

## Operating the Faucet

### All Models

Operate the faucet by moving the lever to the desired position.



A. Full hot  
B. Full on

C. Full cold  
D. Off

### Model KKFV01PP

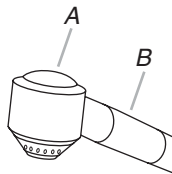
- The flow of water can be a stream or spray. The default water setting is stream.
- The spray assembly can be drawn out of the faucet approximately 19" (48.26 cm).

#### Water spray setting

Push the diverter button on top of the spray assembly.

#### Water stream setting

Turn off the faucet and then turn it back on. The spray assembly automatically resets.



A. Spray button

B. Spray assembly

### Model KKFV01SP

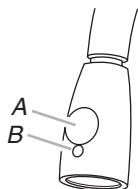
- The flow of water can be a stream or spray. The default water setting is stream.
- The spray assembly can be drawn out of the faucet spout approximately 12" (30.48 cm).

#### Water spray setting

Push the large diverter button on top of the spray assembly.

#### Water stream setting

Push the small diverter button located below the larger button, or turn off the faucet and then turn it back on.



A. Spray button

B. Stream button

# FAUCET CARE

## Faucet Exterior

Clean the faucet using a clean cloth and warm water, or a very diluted solution of mild dish detergent in warm water. Dry and polish the faucet with a soft cloth.

**NOTE:** Do not use abrasive sponges, or anti-lime or acidic cleansers such as scouring agents.

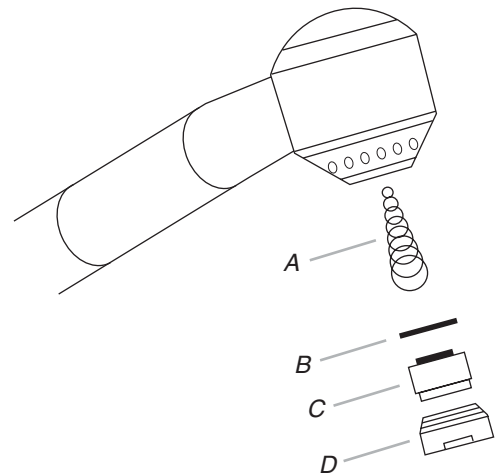
## Aerator Assembly

Periodically, remove and clean the aerator under running water. If the aerator is very dirty, soak it in household vinegar overnight.

### Remove and Replace the Aerator

#### Model KKFV01PP

1. Turn off water supply to faucet.
2. Remove the aerator assembly (threaded collar, screen, and rubber washer). The spray button spring will also come out with the aerator assembly.
3. Clean or soak only the aerator screen.
4. Replace the spray button spring. Insert the small side into the spray head around the slotted screw.
5. Replace the aerator assembly, and fully tighten the threaded collar with a wrench.

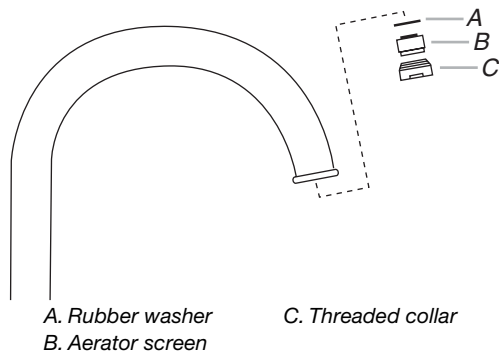


A. Spray button spring  
B. Rubber washer

C. Aerator screen  
D. Threaded collar

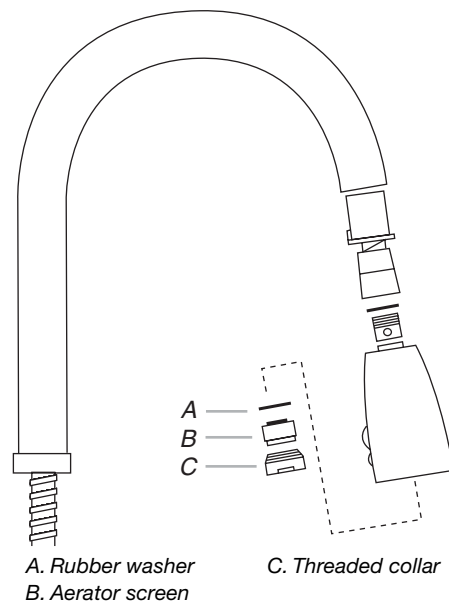
### Model KKFV01LP

1. Turn off water supply to faucet.
2. Remove the aerator assembly (threaded collar, screen, and rubber washer).
3. Clean or soak only the aerator screen.
4. Replace the aerator assembly, and fully tighten the threaded collar with a wrench.



### Model KKFV01SP

1. Turn off water supply to faucet.
2. Remove the aerator assembly (threaded collar, screen, and rubber washer).
3. Clean or soak only the aerator screen.
4. Replace the aerator assembly, and fully tighten the threaded collar with a wrench.



## TROUBLESHOOTING

### Slow or no water flow

- **Is the faucet lever in the ON position?** The lever control pattern is triangular with OFF toward the front of the faucet. See “Operating the Faucet.”
- **Are the water supply valves fully open?** Turn the water valves ON.
- **Is the household main water supply turned OFF?** Check for water flow from a different faucet.
- **Are the braided faucet hoses twisted?** Untwist the hoses and check for kinks.
- **Is the aerator blocked?** Make sure the aerator is free of debris that could plug the holes. See “Cleaning.”
- **Does the faucet lever move normally?** If the lever moves too freely or seems stuck, the cartridge may need to be replaced.

### Faucet leaks or drips at the spout

It is normal for the faucet to drip up to 1 minute after turning off the water.

- **Is the faucet lever in the OFF position?** The lever control pattern is triangular with OFF toward the front of the faucet. See “Operating the Faucet.”
- **Is the faucet lever in the OFF position but continues to leak from the spout?** The cartridge and the cartridge seals should be inspected for wear and replaced if necessary.

### Faucet leaks around the lever

- **Is the retaining nut that holds the cartridge in place loose?** Remove the faucet lever, lever base assembly, and cap to expose the cartridge retaining nut. Tighten retaining nut.

### Faucet lever is loose

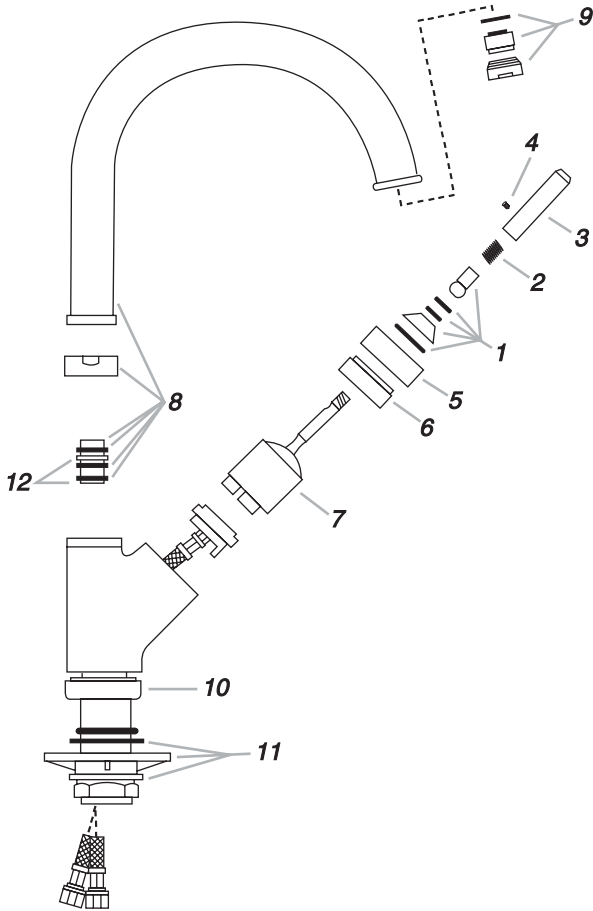
With the Allen wrench (supplied), tighten the setscrew in the lever. Make sure the setscrew is flush with the lever so it does not stick out.

### Pull out or down sprayer head does not pull out to a satisfactory distance or retract fully (Models KKFV01PP and KKFV01SP only)

- **Are articles under the sink interfering with the hose?** Move the articles to provide clearance for the hose.
- **Are the weights positioned correctly on the spray hose?** The two weights should be spaced approximately 1" apart on the sprayer head side of the hose loop just above the bend. See “Install the Faucet.”

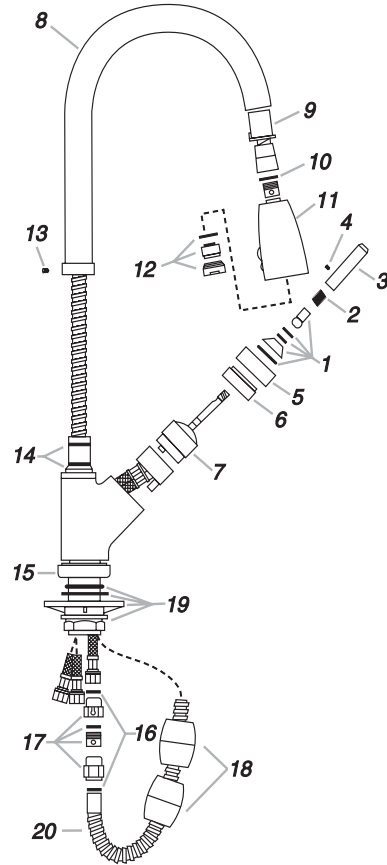
# REPLACEMENT PARTS LISTS

## Model KKFV01LP



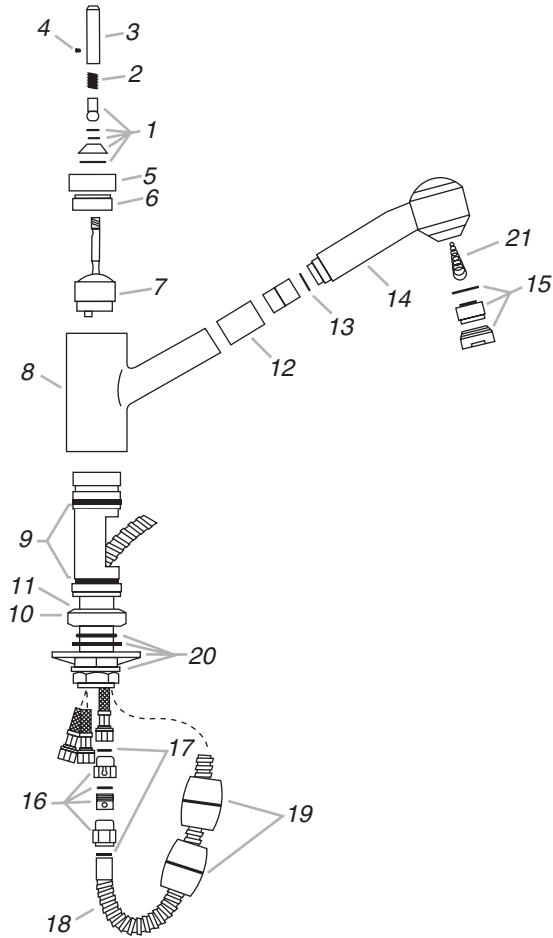
ITEM	DESCRIPTION	PART NUMBER
1	Lever base assembly	*
2	Spring	*
3	Lever - Stainless Steel	W10198637
3	Lever - Chrome	W10198638
4	Setscrew	*
5	Cap	*
6	Retaining nut	*
7	Cartridge	8211409
8	Spout assembly	*
9	Aerator set	8211403
10	Base	*
11	Mounting assembly	8211411
12	O-ring	*
* This part is not serviceable		

## Model KKFV01SP



ITEM	DESCRIPTION	PART NUMBER
1	Lever base assembly	*
2	Spring	*
3	Lever - Stainless Steel	W10198637
3	Lever - Chrome	W10198638
4	Setscrew	*
5	Cap	*
6	Retaining nut	*
7	Cartridge	8211401
8	Spout assembly	*
9	Short plastic insert	8211417
10	Screen washer	W10186588
11	Sprayer - Stainless steel	8211402
11	Sprayer - Chrome	8211416
12	Aerator set	8211403
13	Screw	*
14	O-ring	*
15	Base	*
16	Fiber washer	8211404
17	Check valve assembly	8211410
18	Weight	8211407
19	Mounting assembly	8211411
20	Hose	8211405
* This part is not serviceable		

## Model KKFV01PP



ITEM	DESCRIPTION	PART NUMBER
1	Lever base assembly	*
2	Spring	*
3	Lever - Stainless steel	W10198637
3	Lever - Chrome	W10198638
4	Setscrew	*
5	Cap	*
6	Retaining nut	*
7	Cartridge	8211401
8	Body	*
9	O-ring	*
10	Base	*
11	Teflon® ring	*
12	Long plastic insert	8211418
13	Rubber washer	W10186587
14	Sprayer - Stainless steel	8211408
14	Sprayer - Chrome	8211415
15	Aerator set	8211403
16	Check valve assembly	8211410
17	Fiber washer	8211404
18	Hose	8211405
19	Weight	8211407
20	Mounting assembly	8211411
21	Spray button spring	W10200280
* This part is not serviceable		

---

# KITCHENAID® FAUCETS WARRANTY

---

## ONE YEAR LIMITED WARRANTY

For one year from the date of purchase, when this faucet is installed, operated and maintained according to instructions attached to or furnished with the product, KitchenAid will replace the faucet with an equivalent faucet supplied by KitchenAid if this faucet is found to be defective in materials or workmanship under conditions of normal use. This warranty extends to the original purchaser only.

---

## SECOND THROUGH THIRD YEAR LIMITED WARRANTY ON STAINLESS STEEL FINISH (residential installations only)

In the second through third year from the date of purchase, when this faucet is installed, operated and maintained according to instructions attached to or furnished with the product, KitchenAid will replace the faucet with an equivalent faucet supplied by KitchenAid if the stainless steel finish on this faucet is found to be defective in materials or workmanship under conditions of normal household use. This warranty extends to the original purchaser only.

---

## SECOND THROUGH FIFTH YEAR LIMITED WARRANTY ON CHROME FINISH (residential installations only)

In the second through fifth year from the date of purchase, when this faucet is installed, operated and maintained according to instructions attached to or furnished with the product, KitchenAid will replace the faucet with an equivalent faucet supplied by KitchenAid if the chrome finish on this faucet is found to be defective in materials or workmanship under conditions of normal household use. This warranty extends to the original purchaser only.

---

## SECOND THROUGH TENTH YEAR LIMITED WARRANTY ON FAUCET CARTRIDGE (residential installations only)

In the second through tenth year from the date of purchase, when this faucet is installed, operated and maintained according to instructions attached to or furnished with the product, KitchenAid will replace the faucet cartridge with a faucet cartridge supplied by KitchenAid if the faucet cartridge is found to be defective in materials or workmanship under conditions of normal household use. This warranty extends to the original purchaser only.

---

## ITEMS EXCLUDED FROM WARRANTY

### KitchenAid WILL NOT Pay for:

1. Service calls to correct the installation of your faucet, to instruct you on how to use your faucet, or to repair or replace household plumbing.
  2. Limited warranty repairs after the first year when your faucet is used in other than normal, single-family household use.
  3. Damage resulting from accident, alteration, unauthorized modification, misuse, abuse (such as heavy impact), fire, floods, acts of God, improper installation or installation not in accordance with local plumbing codes, or use of products not approved by KitchenAid.
  4. Damages resulting from improper care or maintenance.
  5. Damages resulting from improper applications, such as exposure to corrosive chemicals, photographic solutions, etc.
  6. Any unauthorized modifications made to the product after it leaves KitchenAid (or its suppliers) premises whether performed by a contractor, service company, or you.
  7. Any labor costs during the limited warranty periods.
  8. Repair or replacement parts for units operated outside the United States.
  9. Transportation and labor costs associated with removal or reinstallation of covered parts.
- 

## DISCLAIMER OF IMPLIED WARRANTIES

IMPLIED WARRANTIES, INCLUDING ANY IMPLIED WARRANTY OF MERCHANTABILITY OR IMPLIED WARRANTY OF FITNESS FOR A PARTICULAR PURPOSE, ARE LIMITED TO ONE YEAR OR THE SHORTEST PERIOD ALLOWED BY LAW. Some states and provinces do not allow limitations on the duration of implied warranties of merchantability or fitness, so this limitation may not apply to you. This warranty gives you specific legal rights, and you also may have other rights that vary from state to state or province to province.

---

## KITCHENAID SHALL NOT BE LIABLE FOR INCIDENTAL OR CONSEQUENTIAL DAMAGES

Some states do not allow the exclusion or limitation of incidental or consequential damages, so this exclusion or limitation may not apply to you. This warranty gives you specific legal rights, and you also may have other rights which may vary from state to state.

---

Outside the 50 United States, this warranty does not apply. Contact your authorized KitchenAid dealer to determine if another warranty applies.

8/08

If you believe you have a warranty claim, contact KitchenAid through your Dealer, Plumbing Contractor, Home Center or E-tailer. Or call our Customer eXperience Center at **1-800-422-1230** from anywhere in the U.S.A., or write:

KitchenAid Brand Home Appliances  
Customer eXperience Center  
553 Benson Road  
Benton Harbor, MI 49022-2692

Please include a daytime phone number in your correspondence.

*In the event of a warranty claim, the owner will be required to provide proof of purchase, model and serial number, finish, a copy of the original invoice showing the seller and date the product was purchased, and a complete description of the problem. KitchenAid reserves the right to inspect any faucet reported to be defective prior to replacement of the faucet. All decisions are final.*

**Keep this book and your sales slip together for future reference. You must provide proof of purchase or installation date for in-warranty service.**

Write down the following information about your faucet to better help you obtain assistance if you ever need it. You will need to know your complete model number and serial number.

Dealer name \_\_\_\_\_  
Address \_\_\_\_\_  
Phone number \_\_\_\_\_  
Model number \_\_\_\_\_  
Serial number \_\_\_\_\_  
Purchase date \_\_\_\_\_